

Onsen Stainless Steel Flue Diverter ONHWFDS

- Suitable for all Onsen continuous flow gas hot water units. It is designed to divert flue gas exhaust in a sideways direction away from doors, windows, trees, fences or other structures to improve ventilation.
- Onsen flue diverter is NOT compatible with other manufacturers' hot water unit.
- Onsen flue diverter kits are certified by IAPMO as components of the water heater units with which they are compatible. For certification number please see the data plate on the hot water units.

IMPORTANT!

Installation of water heater and flue system shall be in accordance with :

- Manufacturers installation instructions
- Current AS/NZS 5601 Gas installations
- Local regulations and municipal building codes

Installation Guide

Preparation

1. Remove all packaging from the flue diverter. Inspect the product for any damage prior to installation. If there is damage please do not install and notify the manufacturer immediately.
2. Remove the two screws from the front of flue diverter and separate the mounting bracket from the rear of the flue diverter.

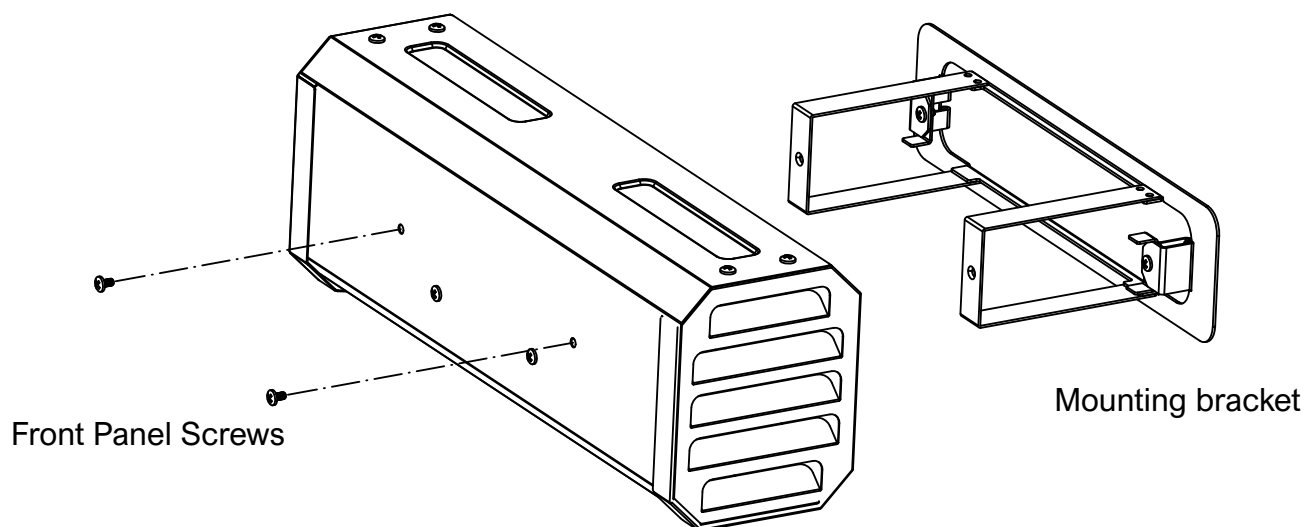
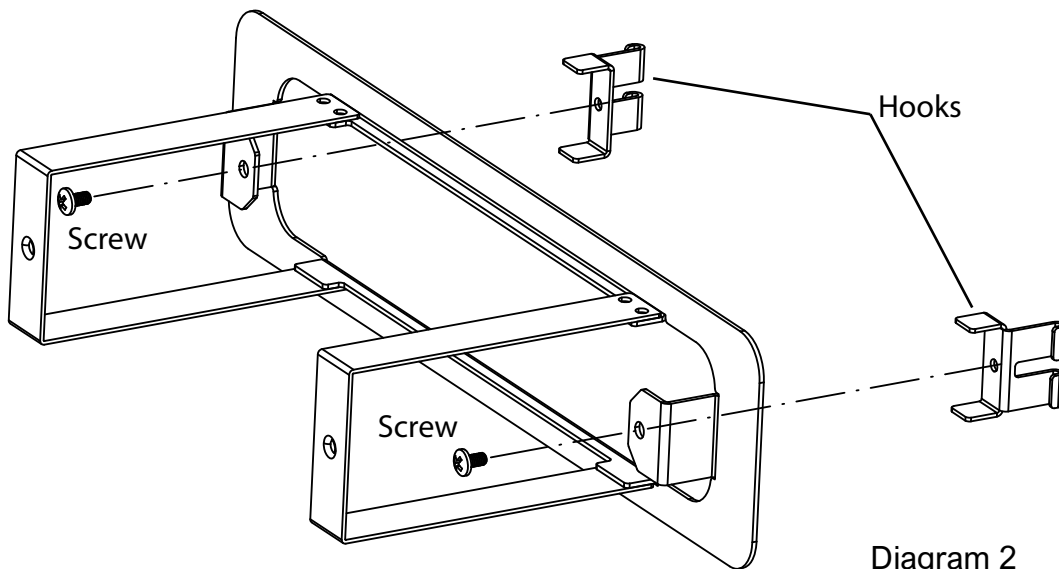


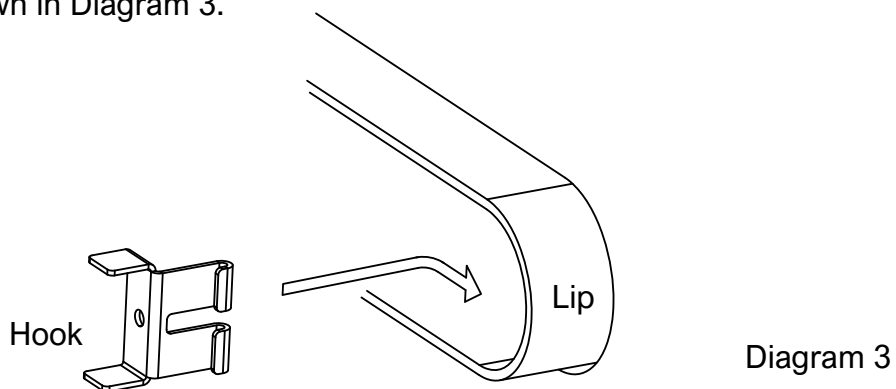
Diagram 1

Fitting the mounting bracket to the hot water unit

1. Remove the screws located at both ends of the mounting bracket, separate the hooks from the mounting bracket.



2. Position the hooks inside the flue terminal lip of the hot water unit. Engage the hooks to the lip as shown in Diagram 3.



3. Secure the mounting bracket to the hooks which is now engaged on the hot water unit lip by screws. Tighten the two screws properly until the hooks are firmly secured at the flue terminal lip.

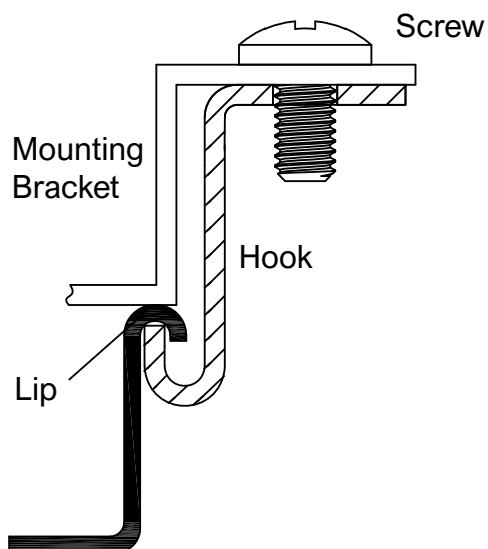


Diagram 4

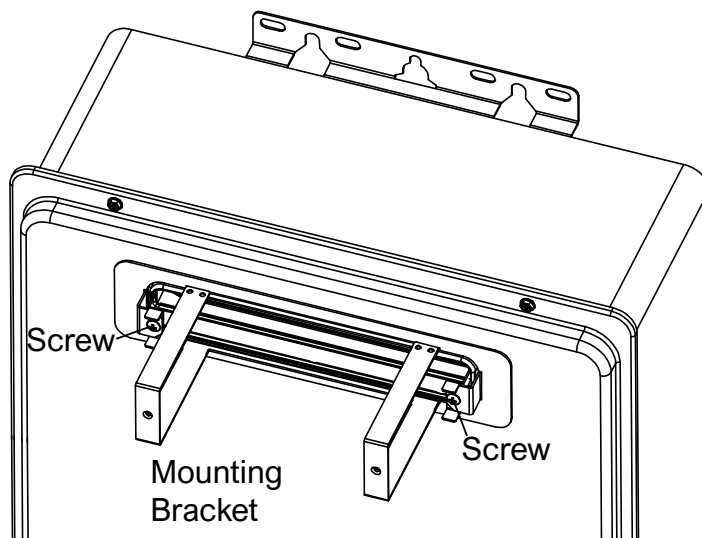


Diagram 5

4. Position the flue diverter over the mounting bracket. Ensure the drain holes are facing downwards. Fasten the front panel screws as shown in Diagram 6.

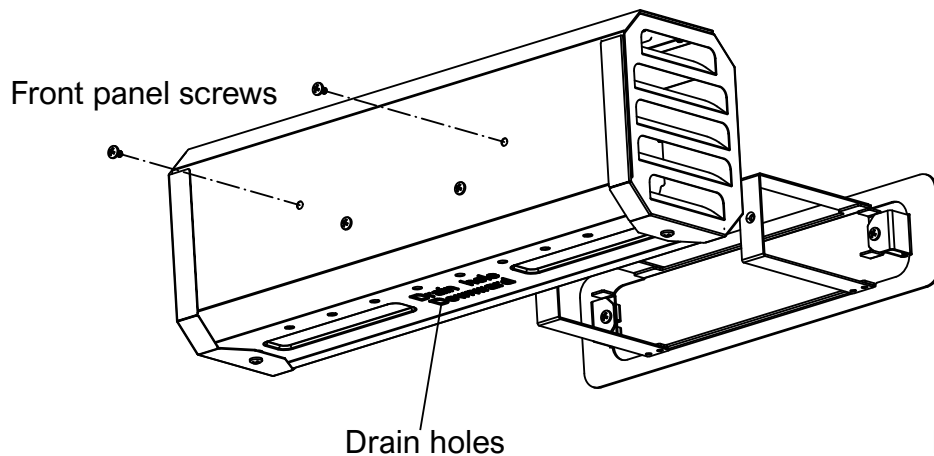


Diagram 6

Left or Right Discharge Installations

The flue diverter is designed to divert flue gas exhaust in either left or right direction. To change the flue gas exhaust direction :

1. Unscrew the four screws from top and bottom of the flue diverter.
2. Remove the flue cover and blanking plate and reverse the positions.
3. Re-secure the flue cover and blanking plate in new position with screws.

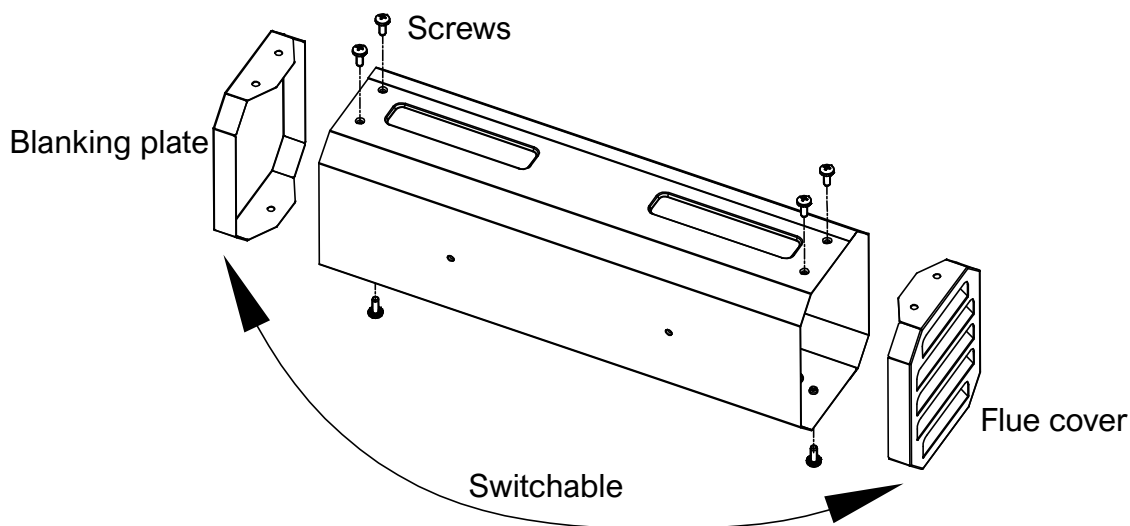


Diagram 7